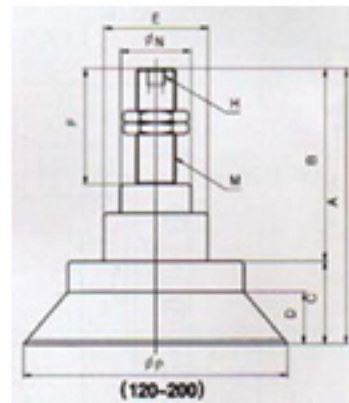
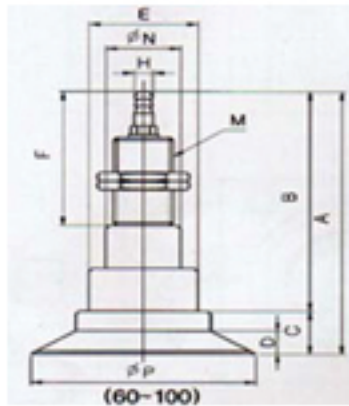
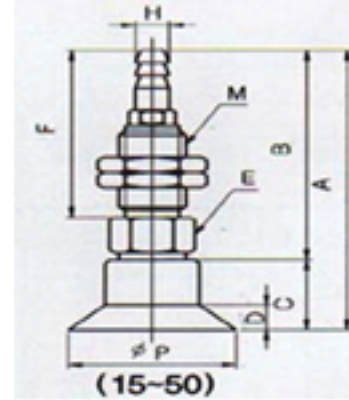
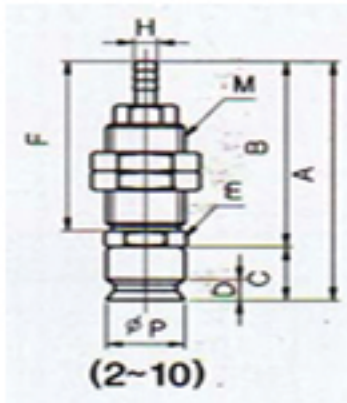


# Vacuum Pad(PS-Series)



## Product Features

Attract the objects by vacuum pressure.

Materials of pad are black rubber or silicon rubber, urethan rubber according to the objects.

## Dimension

Type	A	B	C	D	E	F	H	M	øN	øP
PS-5	29	21	8	1	7H	17	2.6	M5X0.8	-	2
	29.5	21	8.5	1	7H	17	2.6	M5X0.8	-	4
	30	21	9	1	7H	17	2.6	M5X0.8	-	6
PS-10	39	30	9	3	9H	24.5	2.6	M8X1.25	-	8
	38	30	8	2	9H	24.5	2.6	M8X1.25	-	10
PS-25	50	42	8	4	11H	33.5	5	M10X1.25	-	15
	53	42	11	5	11H	33.5	5	M10X1.25	-	20
	56	42	14	5	11H	33.5	5	M10X1.25	-	25
PS-35	60	46	14	6	12H	37	5	M10X1.25	-	30
	60	46	14	7	12H	37	5	M10X1.25	-	35
PS-50	67	53	14	6.5	13H	42	5	M12X1.25	-	40
	67	53	14	7	13H	42	5	M12X1.25	-	50
PS-80	92	77	15	8	29	47	5	M16X1.5	20	60
	97	77	20	12	29	47	5	M16X1.5	20	80
PS-100	99	77	22	13	34	47	5	M16X1.5	25	100
PS-150	127	100	27	14	59	60	PT 1/8	M22X1.5	40	120
	143	100	43	27	59	60	PT 1/8	M22X1.5	40	150
PS-200	137	100	37	25	69	60	PT 1/8	M22X1.5	45	200